



# Great Lakes Motor Products

Motors Made in the U.S.A.

## ENGINEERING, DESIGN AND MANUFACTURING

Developed and manufactured in the USA, quality, customer satisfaction and flexibility are top priorities for Great Lakes Motor Products. We are willing to work up front with engineers on the design of a motor assembly that works best for their application. Being a smaller company, we are capable of responding quickly to customers' needs and can accommodate large or small volumes.



## GL166 CENTRIFUGAL BLOWER

### DESCRIPTION:

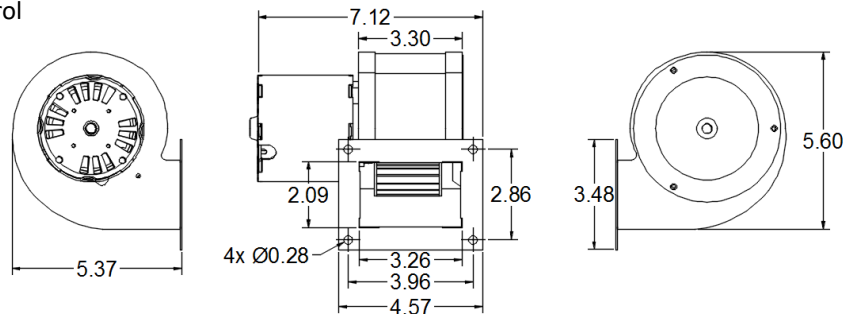
- 3200 RPM SHADED POLE BLOWER
- 1.4 Amps, 120 Volts 60 Hz (220/240V available)
- 145 CFM; sleeve bearings; for use with speed control



## REPLACEMENT REFERENCE FOR:

Dayton Equivalent = 4C005, 4C446, 1TDP7

FASCO Equivalent = A166



## GL265 CENTRIFUGAL BLOWER

### DESCRIPTION:

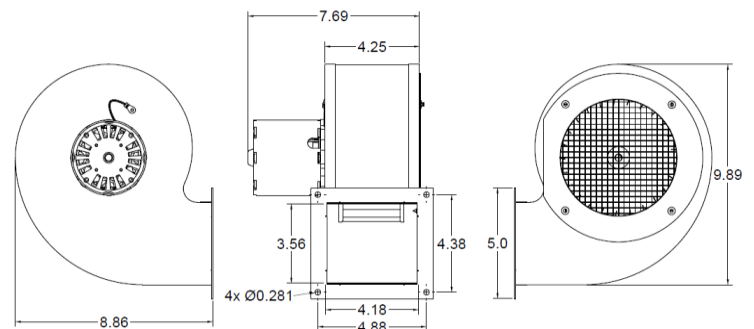
- 1650 RPM SHADED POLE BLOWER
- 1.6 AMPS, 120 VOLTS 60 Hz (220/240V available)
- 265 CFM; sleeve bearings; for use with speed control



## REPLACEMENT REFERENCE FOR:

Dayton Equivalent = 4C447, 1TDR3

FASCO Equivalent = B45227



## GL60 CENTRIFUGAL BLOWER

### DESCRIPTION:

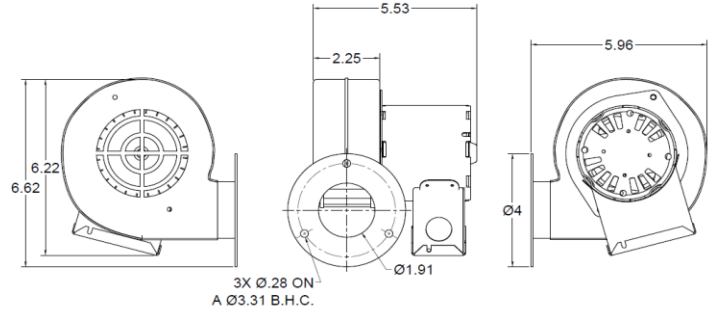
- 3000 RPM SHADED POLE BLOWER
- .50 AMPS, 120 VOLTS 60 Hz (220/240V available)
- 60 CFM; sleeve bearings; for use with speed control



## REPLACEMENT REFERENCE FOR:

Dayton Equivalent = 4C440, 1TDN7, 6FH4, 1C180

FASCO Equivalent = 50747-D401



## GL75 CENTRIFUGAL BLOWER

### DESCRIPTION:

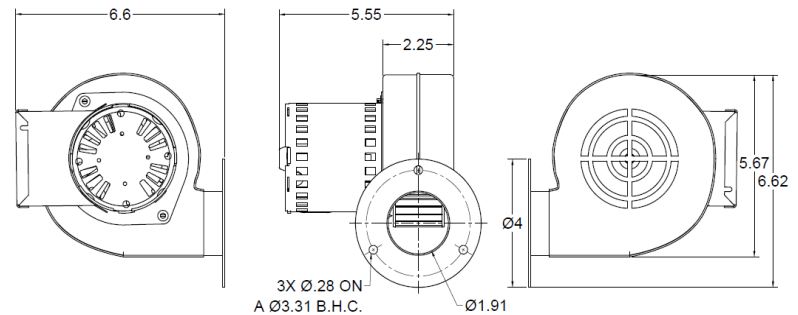
- 2900 RPM SHADED POLE BLOWER
- .90 AMPS, 120 VOLTS 60 Hz (220/240V available)
- 65 CFM; sleeve bearings; for use with speed control



## REPLACEMENT REFERENCE FOR:

Dayton Equivalent = 4C443, 1TDP3

FASCO Equivalent = 50748-D500



## GL135 CENTRIFUGAL BLOWER

### DESCRIPTION:

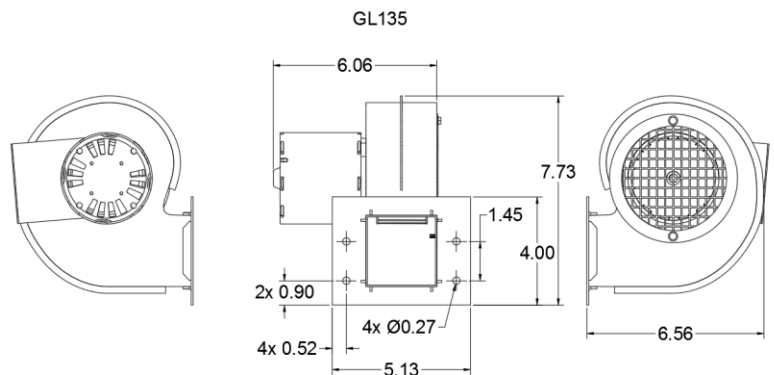
- 2860 RPM SHADED POLE BLOWER
- 1.1 AMPS, 120 VOLTS 50/60 Hz (220/240V available)
- 135 CFM; sleeve bearings; for use with speed control



## REPLACEMENT REFERENCE FOR:

Dayton Equivalent = 4C610, 4C442, 1TDP5

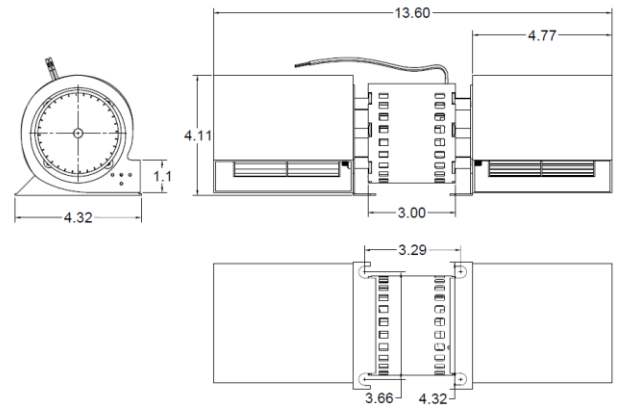
FASCO Equivalent = 50752-D500



## GL125 CENTRIFUGAL BLOWER:

FASCO Equivalent = A125

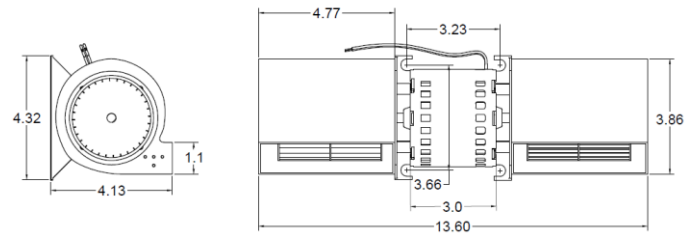
- 1.1 AMPS, 120VOLTS 60Hz
- 125 CFM; sleeve bearings, for use with speed control



## GL125V CENTRIFUGAL BLOWER:

FASCO Equivalent = A125 (Vertical Flow)

- 1.1 AMPS, 120VOLTS 60Hz
- 125 CFM; sleeve bearings, for use with speed control



## GL212 CENTRIFUGAL BLOWER:

FASCO Equivalent = A212

- 1.25 AMPS, 120VOLTS 60Hz
- 212 CFM; sleeve bearings, for use with speed control

